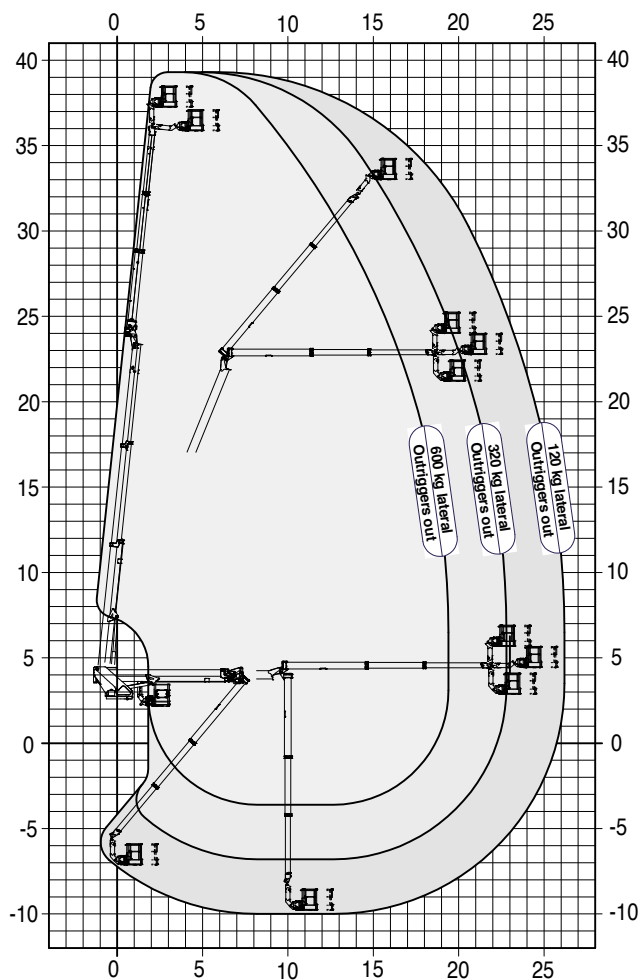


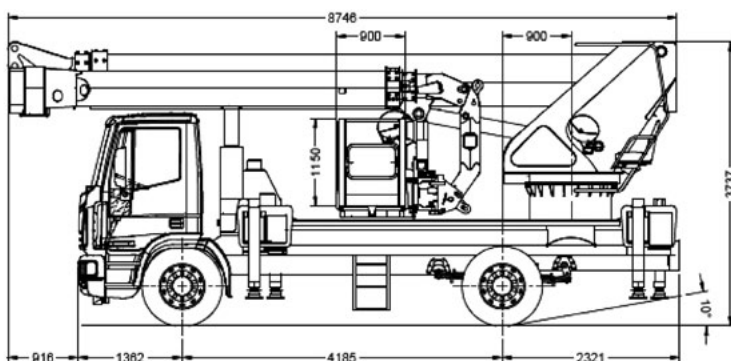
SPECIFICATION

B-LIFT 390 HR

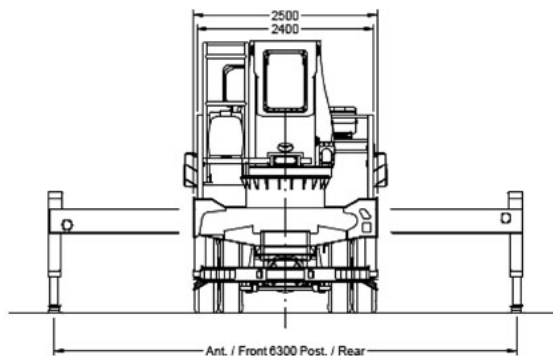
WORKING ENVELOPE



DIMENSIONS



OUTRIGGER FOOTPRINT



39 m*



19,4/22,8/26,2 m*



120/320/600 kg



37 m



2400/3600
x900x1100
mm



GVW min 18 t

* outreach and height max values and repeatability can change within $\pm 3\%$ due to manufacturing variation and working condition.

Product specifications are subject to change without notice or obligation. Technical features and drawings in this brochure are for illustrative purposes only. _B-LIFT 390 HR - ed. 04/16



CTE S.p.A.

Headquarter and Factory

7 Via Caproni - Rovereto (TN) IT, 38068

Ph. +39 0464 48.50.50 - Fax +39 0464 48.50.99

info@ctelift.com - www.ctelift.com

Factory 5 Loc. Terramatta - Rivoli Veronese (VR) IT, 37010

CTE UK Ltd Enderby Leicestershire - UK

