

SPECIFICATION



21.3 JHL IVECO Daily



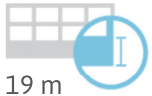
21 m*



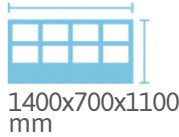
10 m*



300 kg



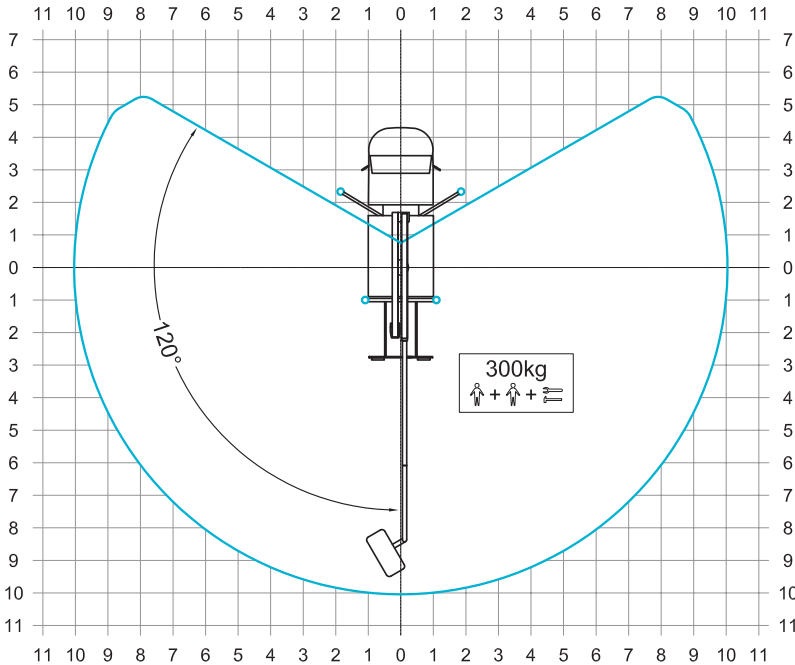
19 m



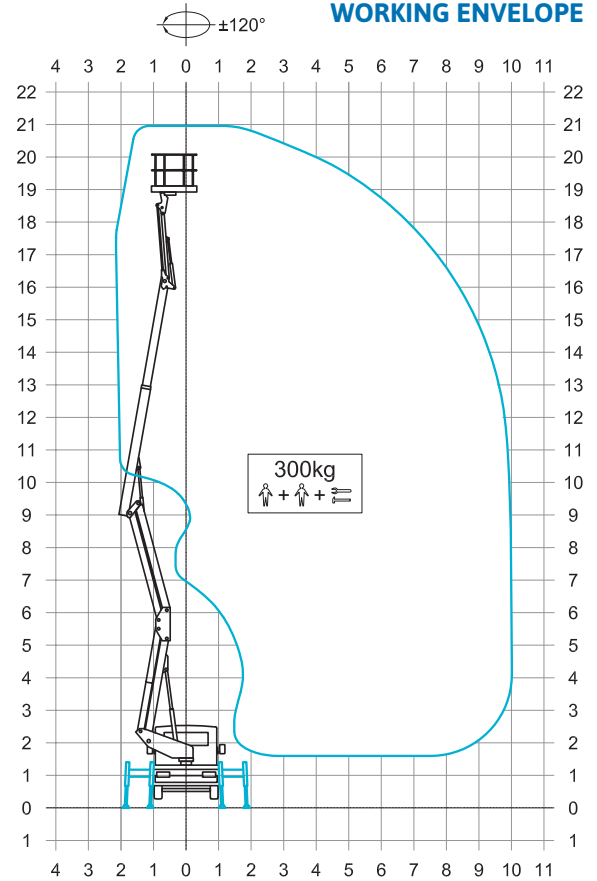
1400x700x1100 mm

GVW min
3,5 t

OUTRIGGER FOOTPRINT

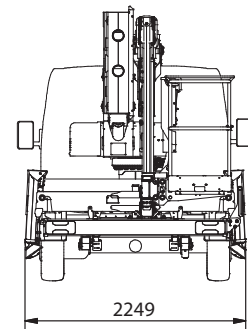
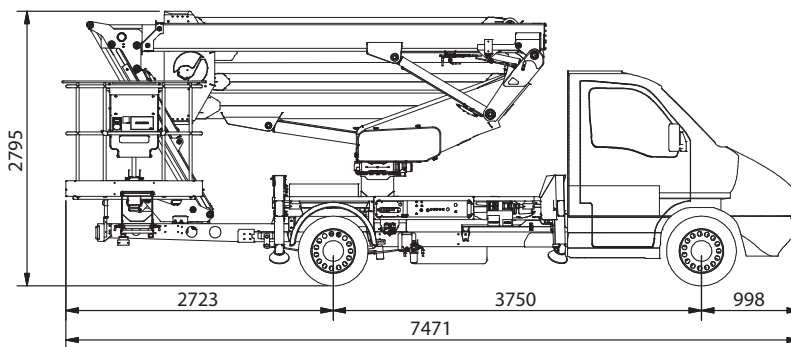


WORKING ENVELOPE



* outreach and height max values and repeatability can change within ± 3% due to manufacturing variation and working condition.

DIMENSIONS



Product specifications are subject to change without notice or obligation. Technical features and drawings in this brochure are for illustrative purposes only. _ZED 21.3 JHL on Iveco Daily - ed. 08/19



CTE S.p.A.

Headquarter 7 Via Caproni - Rovereto (TN) IT, 38068

Ph. +39 0464 48.50.50 - Fax +39 0464 48.50.99

info@ctelift.com - www.ctelift.com

Factory 5 Loc. Terramatta - Rivoli Veronese (VR) IT, 37010

CTE UK Ltd Enderby Leicestershire - UK

