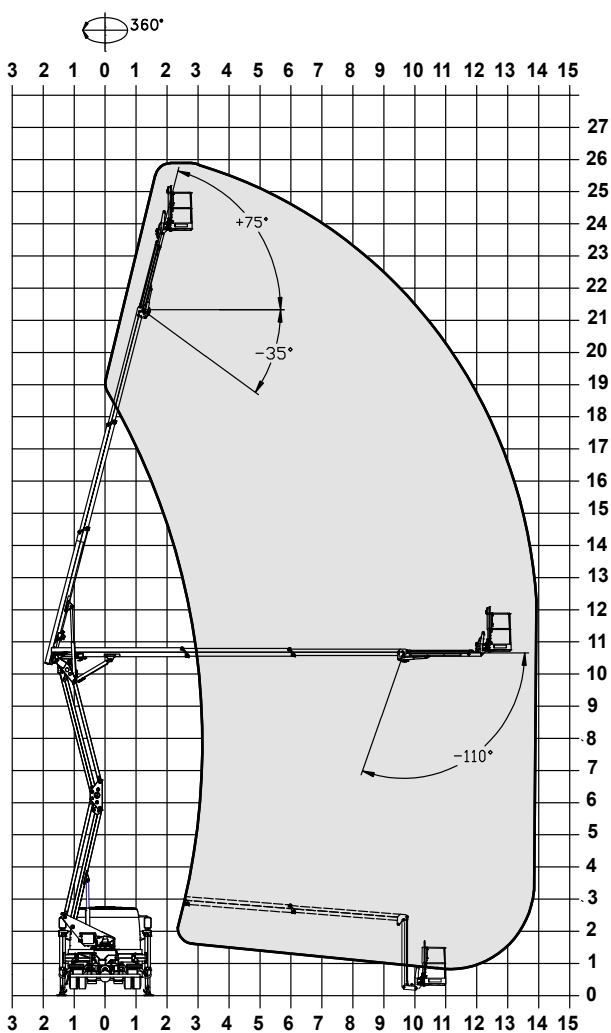


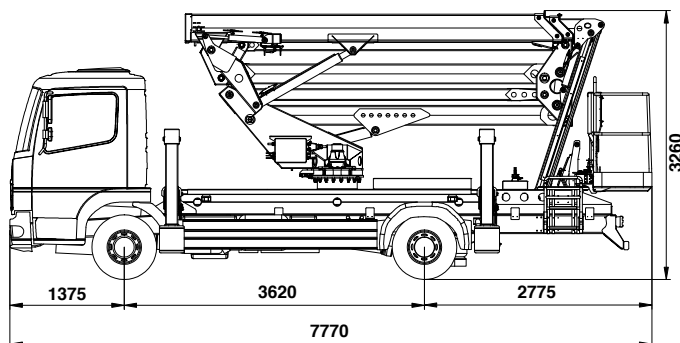
SPECIFICATION

ZED 26 JH

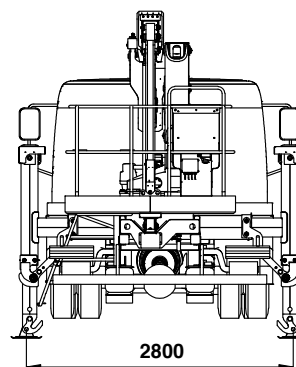
WORKING ENVELOPE









DIMENSIONS



OUTRIGGER FOOTPRINT



 26 m*	 14 m*
 230 kg	 24 m
 1800x700x1100 mm	 GVW min 7,5 t

* outreach and height max values and repeatability can change within $\pm 3\%$ due to manufacturing variation and working condition.

Product specifications are subject to change without notice or obligation. Technical features and drawings in this brochure are for illustrative purposes only. _ZED 26 JH - ed. 04/16



CTE S.p.A.
Headquarter and Factory
 7 Via Caproni - Rovereto (TN) IT, 38068
Ph. +39 0464 48.50.50 - Fax +39 0464 48.50.99
 info@ctelift.com - www.ctelift.com
Factory 5 Loc. Terramatta - Rivoli Veronese (VR) IT, 37010
CTE UK Ltd Enderby Leicestershire - UK

