

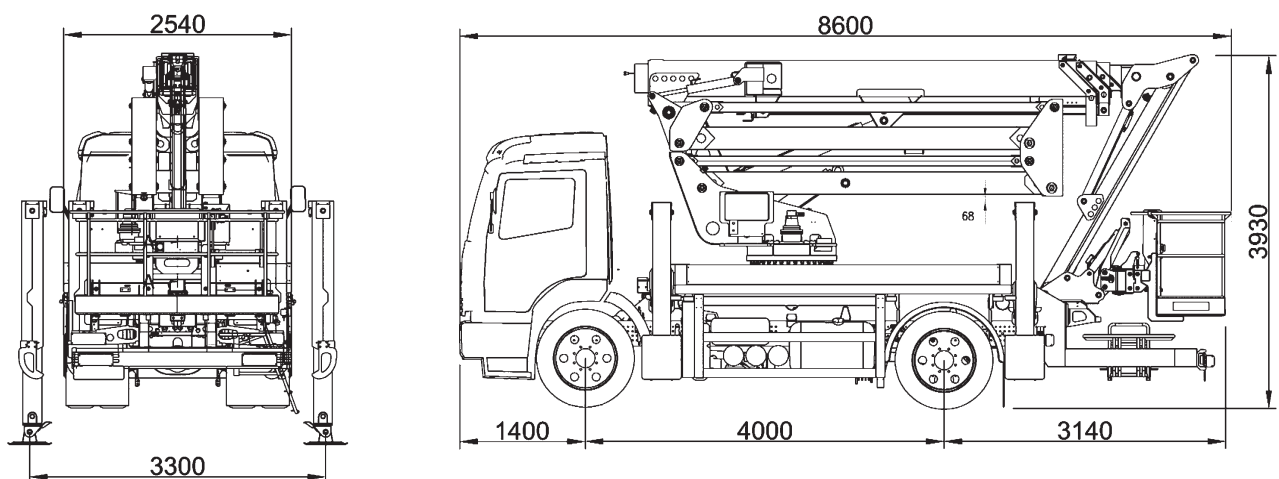
# SPECIFICATION

## **CTEZED** 32 JHV MB ANTOS 18 t

### TECHNICAL DATA

- Double pantograph + telescopic boom with 3 extensions + jib
- Sigma boom movement enabled by connecting rods
- $\pm 180^\circ$  turret rotation
- Smooth proportional controls with acceleration and deceleration ramps
- 2 Simultaneous proportional, electrohydraulic controls from basket and ground
- Engine start and stop controls from basket and ground
- Automatic engine rpm management
- Anti-slip aluminium flatbed decking
- Basket in aluminium 2200x700x1100 mm
- $90^\circ + 90^\circ$  hydraulic basket rotation
- Automatic basket levelling
- 4 hydraulic outriggers with ground pressure sensors
- Variable jacking managed by **S<sup>3</sup> Smart Stability System**
- **CAN BUS** electronic management system
- Ground control station with wired console
- Load cell managed basket capacity
- Diagnostic tool
- Display in the basket with working envelope related info
- Hydraulic system operated by vehicle's PTO
- Buzzer indicating PTO engaged
- Hour meter
- 230 V AC in the basket
- EN 280:2013 CE certified
- Standard boom colours  
blue (RAL 5017) and white (RAL 9003)

### DIMENSIONS



# SPECIFICATION

## CTEZED 32 JHV MB ANTOS 18 t



31,6 m



15,3 / 19,8 m\*



280 kg



29,6 m

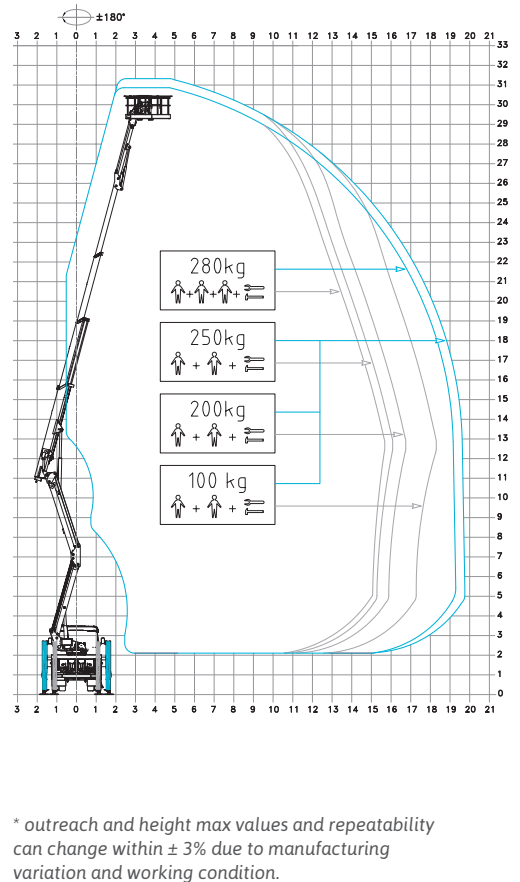
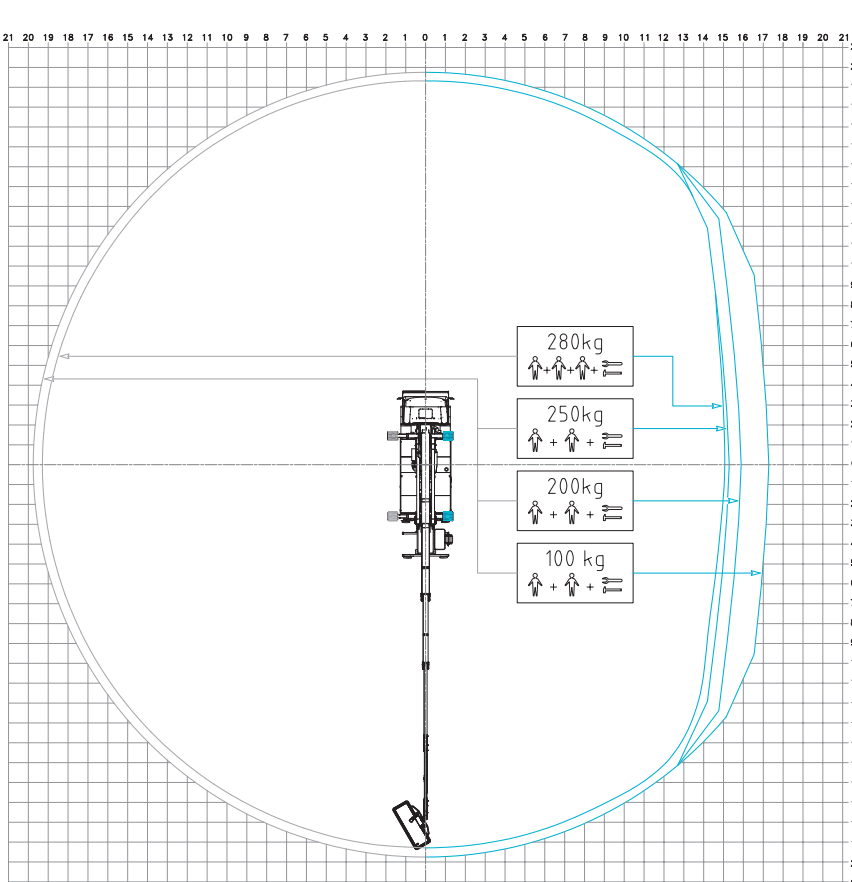


2200x700x1100 mm



GVW min 18 t

### WORKING ENVELOPE



\* outreach and height max values and repeatability can change within  $\pm 3\%$  due to manufacturing variation and working condition.

Product specifications are subject to change without notice or obligation. Technical features and drawings in this brochure are for illustrative purposes only. \_ZED 32 JHV S1 MB - ed. 10/18



**CTE S.p.A.**

Headquarter 7 Via Caproni - Rovereto (TN) IT, 38068

Ph. +39 0464 48.50.50 - Fax +39 0464 48.50.99

info@ctelift.com - [www.ctelift.com](http://www.ctelift.com)

Factory 5 Loc. Terramatta - Rivoli Veronese (VR) IT, 37010

Warehouse 2 Via E. Fermi - Affi (VR) IT, 37010

CTE UK Ltd Enderby Leicestershire - UK

